

USER MANUAL

TrackLight VT2211



**THANK YOU FOR
YOUR PURCHASE!**

**We hope you love your new TrackLight
as much as we do.**

**Contact our support team by Email:
support@anytrek.com**

SPECIFICATION

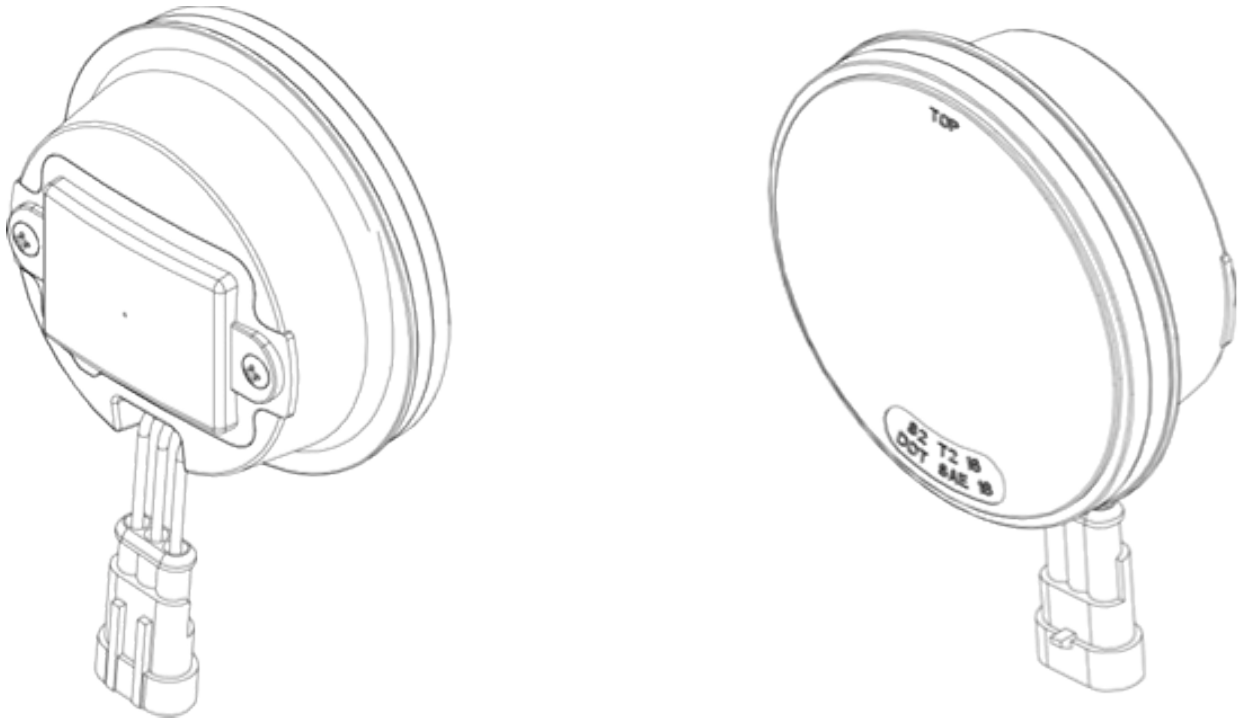
Product Name	Tail/Stop Light with Covert GPS Tracking
Operating Voltage	9-36 VDC
Dimensions(mm)	4" diameter and 2" height
Weight	9oz/256g with batteries(net)
Ingress Protection Rate	IP67
Temperature Range	-20° to +175° F (operating) -50° to +195°F (storage)
Humidity	95% RH @ 120°F
Shock and Vibration	U.S. Military Standard 801F SAE J1455
Certifications	FCC, ROHS, CE, DOT, IC, PTCRB, Applicable Carriers
Regulation	FMVSS 571.108

PACKAGE CONTENTS

1×User Manual

1×Tail/Stop Light with Covert GPS Tracking (VT2211)

GETTING TO KNOW YOUR TRACKLIGHTS



IMPORTANT SAFETY INFORMATION

To reduce risk of serious injury or property damage: read all safety messages and understand all instructions and procedure notices before attempting to install or use this product. Follow all instructions and warnings with product & vehicle owners manual. Always verify the location of all electrical components in your vehicles owner's manual. These instructions are meant as a guide but some component locations and wiring can vary between vehicle production dates and model years.

TAIL LIGHT INSTALLATION

Pre-Installation Guidelines

1. Read all safety notes and installation guidelines before installing the product. Verify that all parts listed under "PACKAGE CONTENTS" are present and complete.
2. Inspect the product for damage. DO NOT install the product if there is any damage. Contact us via the contact info provided in this document.
3. Verify that all power supply and/or charging systems comply to the specified voltage limits for the light.
4. For accuracy and reliability, Anytrek may make improvements and/or changes to this document at any time and without notice. If you experience any problems in use or have any suggestions, please contact us via the contact info provided in this document.

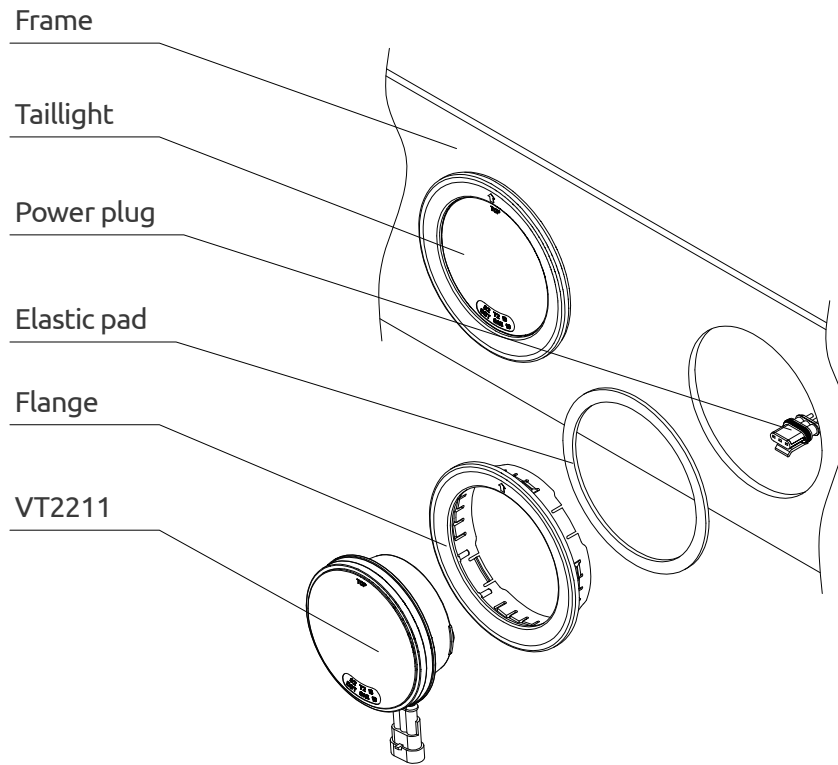
Installation Instructions

Remove the factory taillight

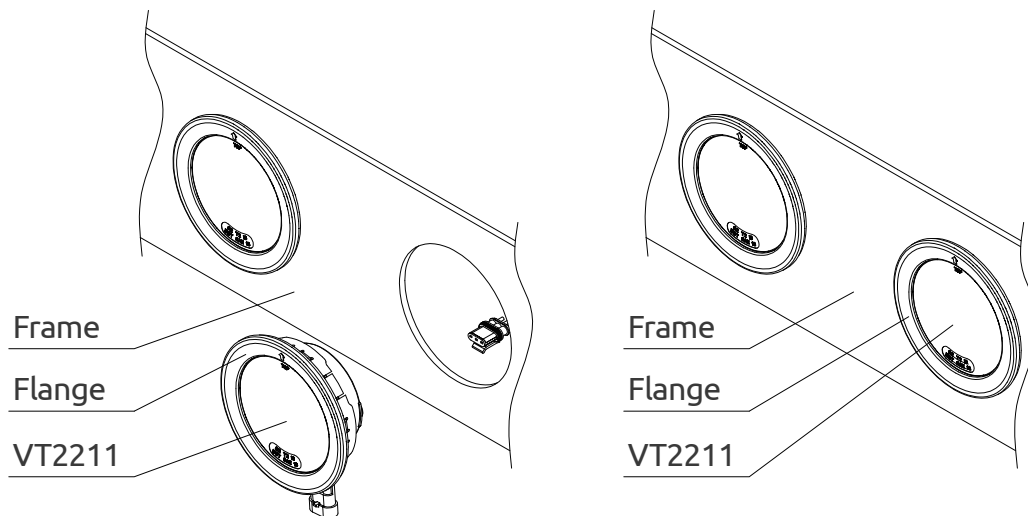


Method 1: VT2211, Elastic pad(EVA) Flange(LA17031)

Step1: Put elastic pad(EVA) on the flange, and install VT2211 device into the flange.

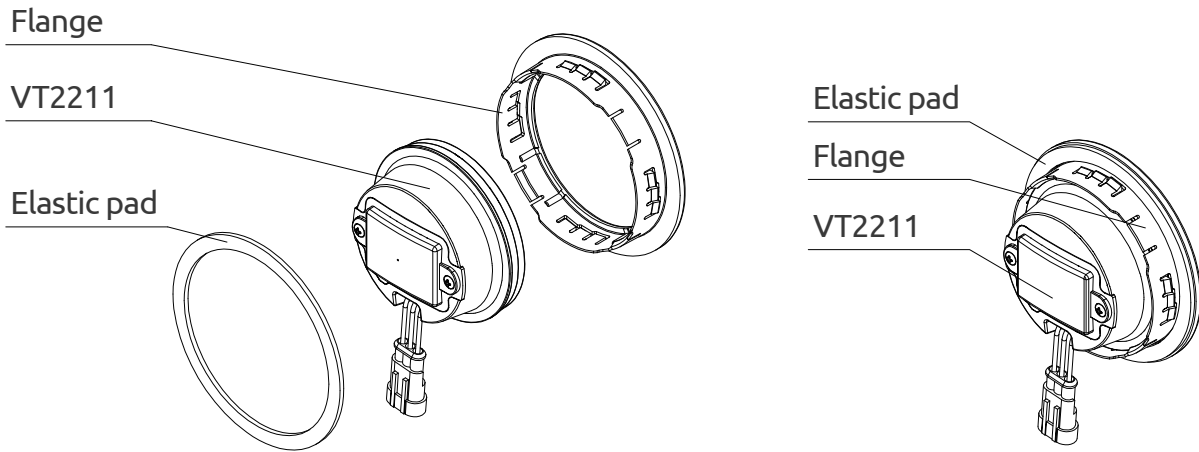


Step2: Connect the power cable, and install VT2211 into the tail light position.

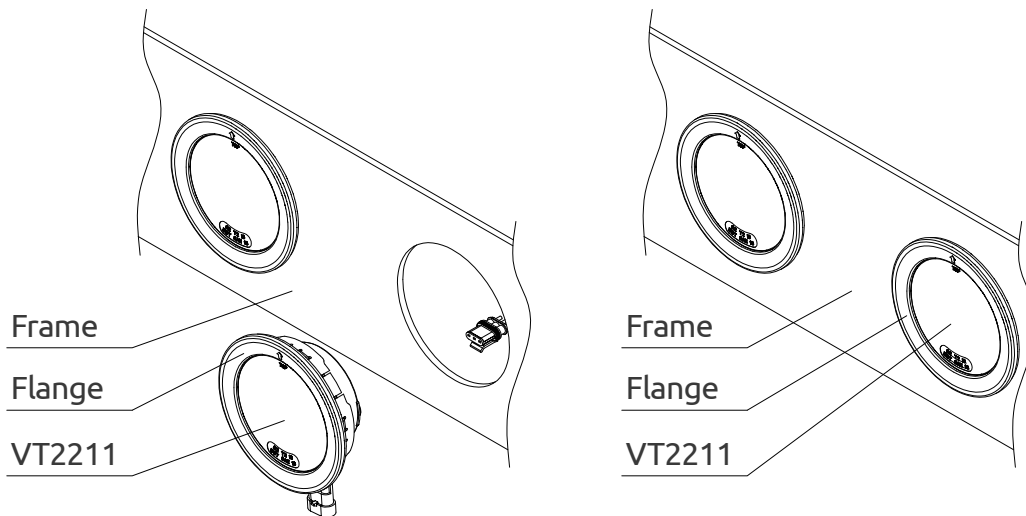


Method 2: VT2211, Flange(LA17081), Rivets

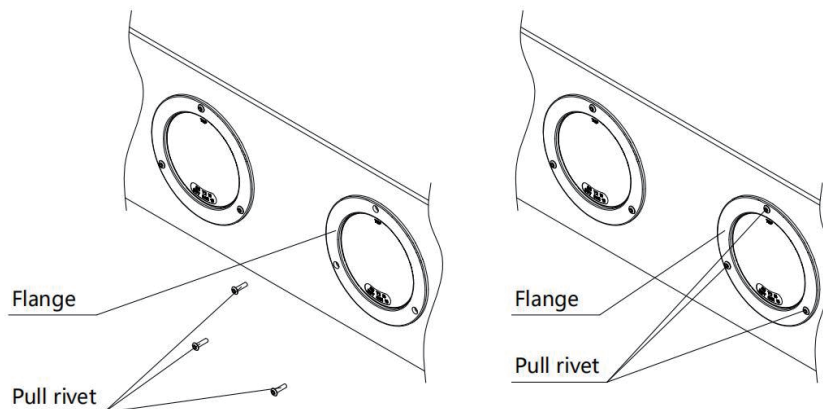
Step1: Install VT2211 device into the flange



Step2: Connect the power cable, and install VT2211 into the tail light position.



Step3: Pull rivets



CUSTOMER SUPPORT

Any issues or questions regarding your new product , please feel free to contact us.

help@anytrek.com

support@anytrek.com

USA Offices

West Coast: 4425 E. Airport Dr., Suite 100, Ontario, CA 91761


East Coast: 34 Gulfstream Road Savannah, GA 31407

 +1 (844) 872-6987

 info@anytrek.com

Canada Office

11535 1st Avenue, Suite 309, Saint-Georges, Québec, G5Y 7H5

 +1 (877) 269-8735

 info@anytrek.ca

Mexico Office

Salamanca Juventino Rossas KM 0.5 C, Salamanca GTO, CP 36750

 +52 (464) 123-9337

 info@anytrek.mx

