



# ThermoTrack

## VT2002

Solar Powered 4G Connected Tanker  
Thermometer with GPS Tracking

## Installation Guide

Replace thermometer with 4 Gauge Holder(for 4 hole)



# Package Overview



VT2002



Allen Wrench



Screws



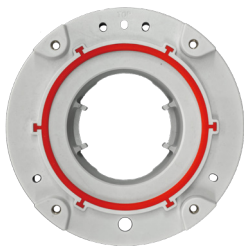
Rivets



Probe Sensor (optional)



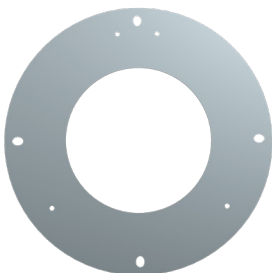
Round Hole Patch Type (optional)



Flange Holder



Battery



Adaptor Panel



Ziplock Bag

# ThermoTrack

## Digital Thermometer with Real-Time Tracking and Reporting

### The Main Functions!



Direct replacement for analog thermometers.



Real-time location and temperature updates.



Can go through hot caustic washes again and again.



Informative alerts notify you of any important events.



Set maintenance reminders by mileage or date.

**Solar-Powered!**  
**No wiring required.**  
**Transmits temperature every 15 minutes.**

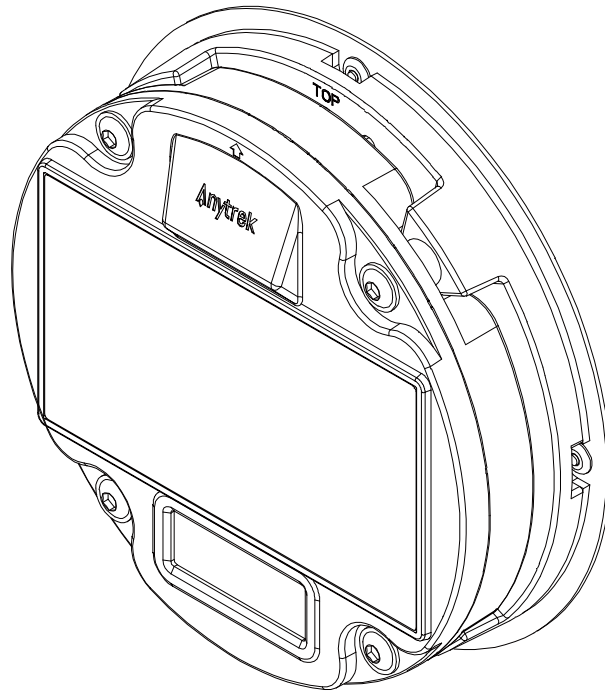
ThermoTrack is a plug-in replacement for all 3.5 inch tanker thermometers. Powered by a solar panel and rechargeable battery, it is simple and quick to install as it does not require any wiring or custom installation. ThermoTrack contains a digital thermometer, GPS module, 4G modem, digital display and a backup battery which is recharged by the built-in solar panel. The digital thermometer connects to the inner tanker shell via a probe or cable. ThermoTrack is suitable for both hot and cold loads as it will monitor temperatures from  $-58^{\circ}\text{F}$  to  $+257^{\circ}\text{F}$ .

**Anytrek is driven to be a leading pioneer of innovative technologies and solutions for the trucking industry.**

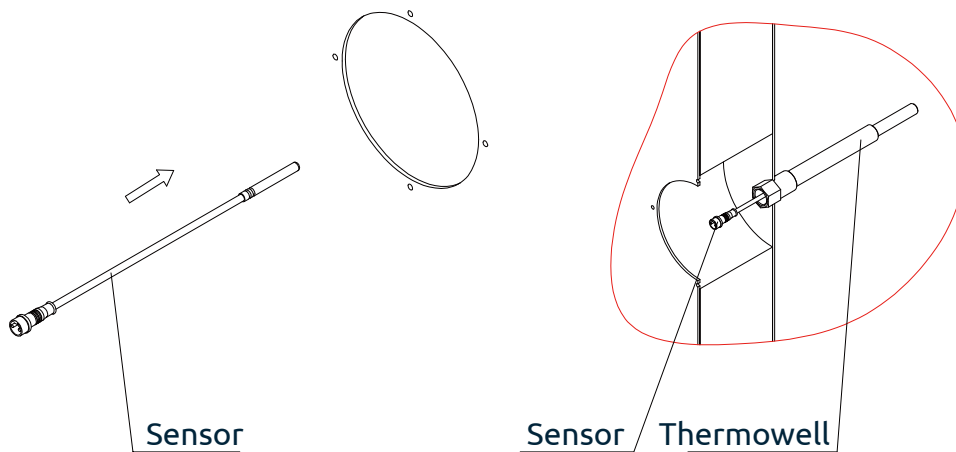
**Suitable for food grade, kosher and hot/cold chemicals**



## Part II: Install ThermoTrack (Suitable for 4-inch mounting hole)



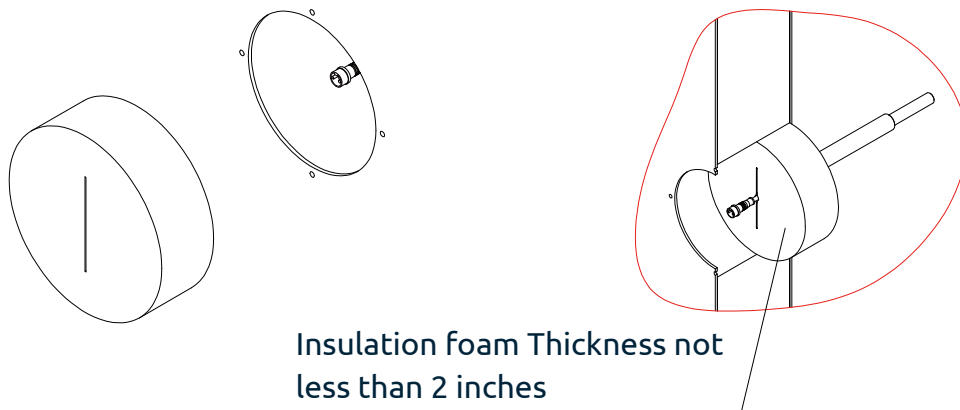
### Step 1. Insert sensor



Fix the sensor with the fixing clip

## Part II: Install ThermoTrack (Suitable for 4-inch mounting hole)

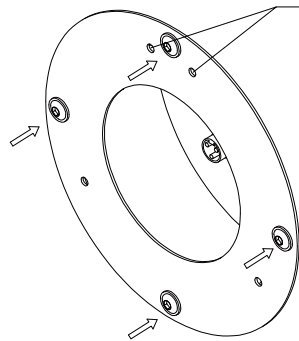
### Step 2. Insert insulation foam



1. Run the sensor connector through the hole.
2. Keep no space gap to ensure insulation.

### Step 3. Install hole adaptor panel

Pay attention to the orientation  
Keep these two holes up



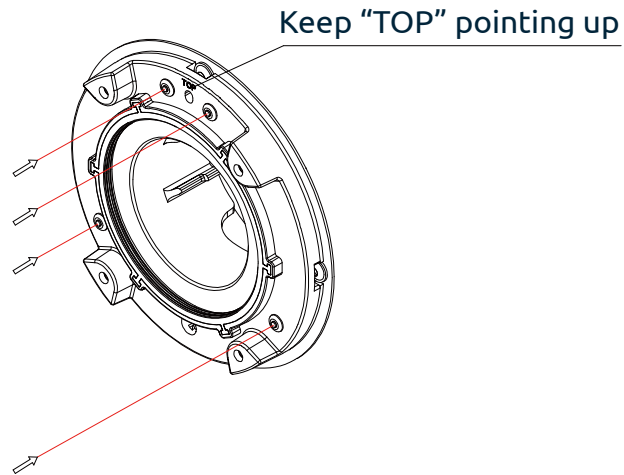
Use four rivets provided at the holes pointed by arrows.



# Part II: Install ThermoTrack

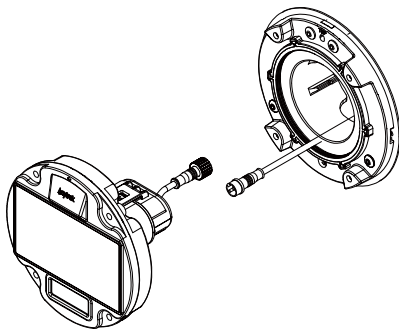
(Suitable for 4-inch mounting hole)

## Step 4. Install flange holder

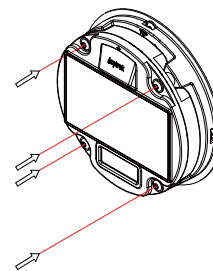


Use three rivets provided at the holes pointed by arrows.

## Step 5. Connect the sensor



## Step 6. Fix the main unit.



Fix the main unit with four screws provided.

## Safety Information — Lithium-ion Battery User's Guide

*This device contains a Lithium-ion battery. Please read the manual carefully before using it in order to ensure proper use of the battery. Misuse or abuse of the lithium-ion battery may result in personal injury or fire.*

The power of the lithium-ion battery will be above 90% when you receive the device, however, the power will be depleted in a very slow process.

- The battery can be used within the following temperature ranges

**Charge temperature range: 0 °C ~ 52 °C [32 °F ~ 126 °F]**

**Discharge temperature range: -20 °C ~ 55 °C [-4 °F ~ 131 °F]**


- The lithium-ion battery is charged through the solar panel. If the device lacks sunlight for a long time, please try to park the tank in a sunny area to make the device able to receive the sunlight.
- Do not store the battery with metal objects or short circuit the terminals with metals.
- Do not pummel, puncture, stamp on the battery, expose the battery to extremes heat or flame, or place it in microwave and high-pressure environments.
- Do not dismantle or modify the battery or use it for other purposes.
- Do not dispose the battery in the trash, please drop off at a proper battery disposal .

## USA Offices

---

West Coast: 4425 E. Airport Dr., Suite 106, Ontario, CA 91761

East Coast: 1554 B, Hwy. 80 East, Pooler, GA 31322

 +1 (844) 872-6987

 [info@anytrek.com](mailto:info@anytrek.com)

## Canada Office

---

11535 1st Avenue, Suite 309, Saint-Georges, Québec, G5Y 7X3


 +1 (418) 425-3535

 [info@anytrek.ca](mailto:info@anytrek.ca)

## Mexico Office

---

Salamanca Juventino Rossas KM 0.5 C, Salamanca GTO, CP 36750

 +52 (464) 647-318

 [info@anytrek.mx](mailto:info@anytrek.mx)

